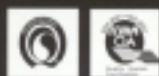
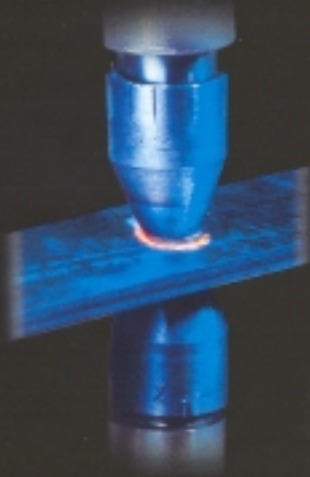


AIR OPERATED ROCKER ARM SPOT WELDING MACHINE

MODEL RAS-25/35/50

Excellent air operated Rocker Arm type Spot welding machine applied electronic controls and air pressure against conventional foot operated spot machine. Applicable for any workpieces and optimum use of sheet metal.

- Excellent economical efficiency
- Stable weldability
- Excellent workability
- Wide range application



THE PRODUCTS ARE MANUFACTURED
ACCORDING TO THE QUALITY SYSTEM ISO 9001.

chowel

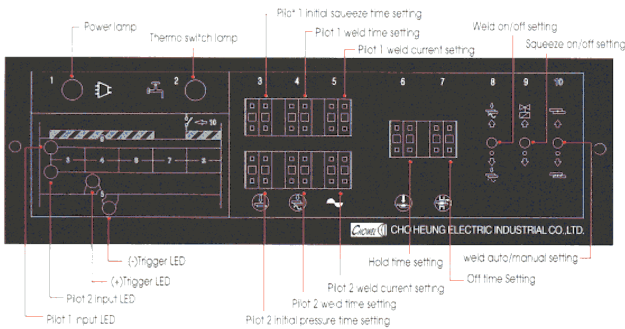
AMERICAN CHOWEL INDUSTRIES INC.
www.chowel.com | e-mail: chowelhan@aol.com

ROCKER ARM SPOT WELDING MACHINE RAS-25/35/50

FEATURE

- High welding efficiency for sheet metal.
- Selective 2-welding schedules.
- Stable welding quality with synchronized welding control.
- Water cooled electrode, holder, and transformer for high duty.
- Built in air filter and pressure regulator with gauge.
- Available to access various shape of work-pieces.
- Ejector type holder equipped.
- Synchronous SCR contactor insulated from cooling water and thermostatic protection.
- Single spot & Automatic repeat selector.
- Weld & No weld selector.
- Option-Power on/off switch

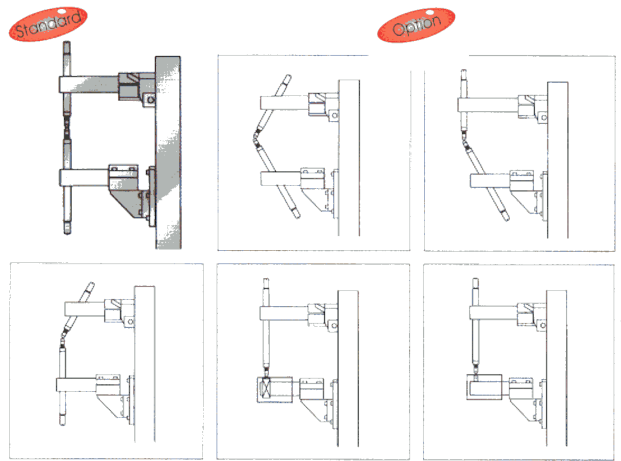
TIME CONTROL PANEL



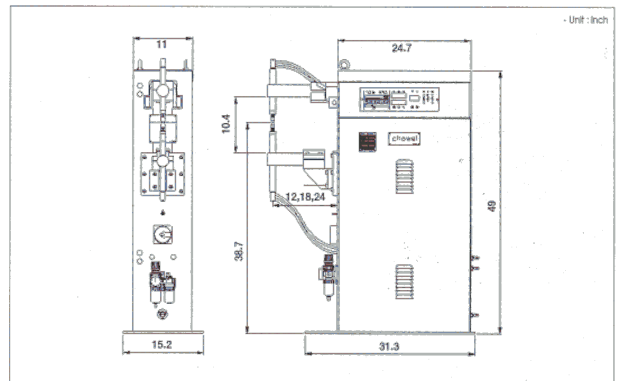
TECHNICAL SPECIFICATIONS

MODEL		RAS-25	RAS-35	RAS-50
Rated capacity (at 50% duty cycle)	KVA	25	35	50
RWMA welder size		2	2	3
Rated input(Volt & Hz)	V/Hz	230 or 460/60Hz		
Horn diameter	Inch	2.25		
Horn spacing	Inch	10		
Electrode holder diameter	Inch	1		
Electrode holder, RWMA taper #		4 (MT#1)	4 (MT#1)	4 (MT#1)
Electrode holder, upper length	Inch	8		
Electrode holder, lower length	Inch	8		
Throat depth	Inch	12 18 24	12 18 24	12 18 24
Short circuit current(±10%)	Kamp	15 13 11	18 16 14	25 21 18
Pressure force at 80PSI	Lbs/sq.in.	1160 760 570	1810 1180 880	2830 1850 1380
Main switch	A	100		
Cooling water, nipple size	Inch	Inlet:1/2" , Outlet:1/2"		
Air inlet, nipple size	Inch	1/2"		

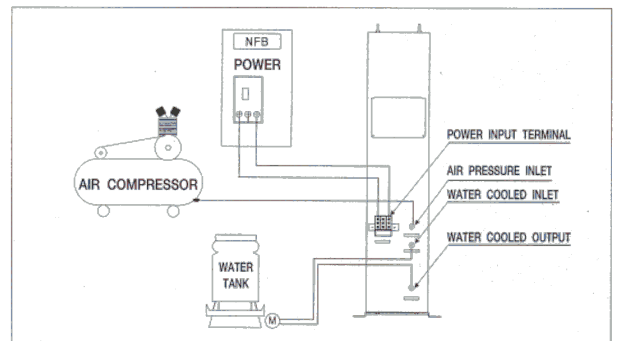
APPLICABLE EX.



EXTERNAL DRAWING



CONNECTION DIAGRAM



chowel

AMERICAN CHOWEL INDUSTRIES INC.

289 South Street #B Rochester, MI 48307

Tel: 248-601-4310 Fax: 248-601-4311

www.chowel.com || e-mail: chowelhan@aol.com

Distributor

* Subject to change without notice.

Catalog No. : RAS-A2001324®